

Smooth Bore in a Can™

This elegantly simple solid stream water effect has 30° vertical adjustability on a 360° axis.

Construction:

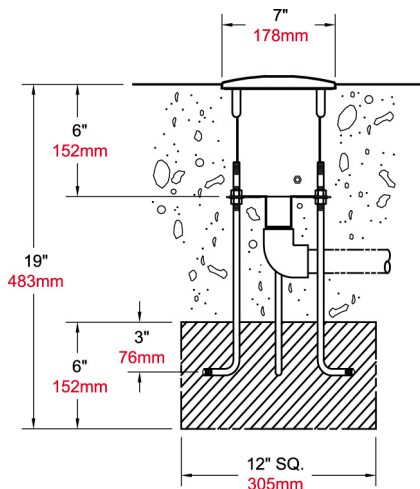
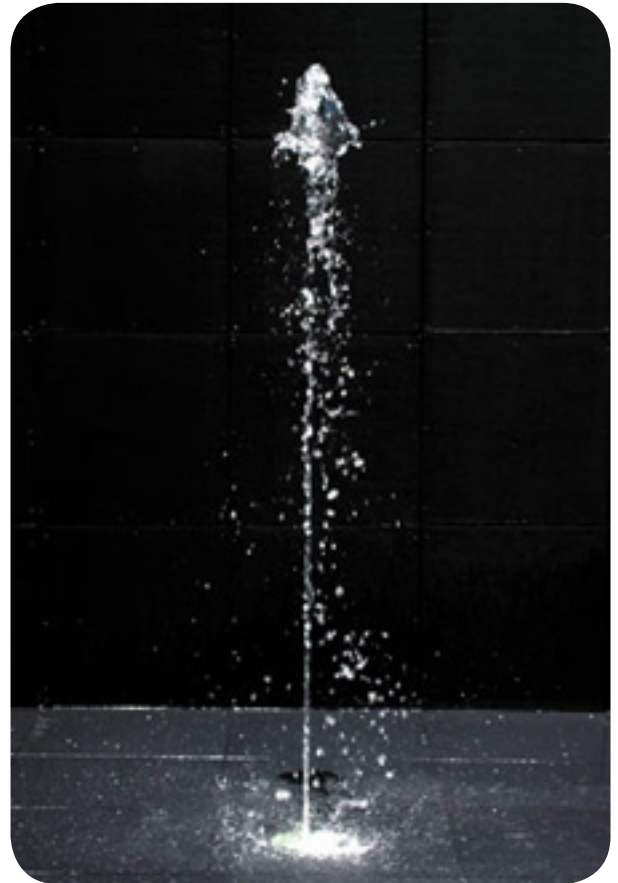
Single piece, type 304 deep-drawn stainless steel housing with a 1" FPT inlet, grounding connection, cast bronze top cover, EPDM 70 durometer o-ring, and 18/8 stainless steel fasteners. Unit is supplied with a high density polyethylene (HDPE) construction cover, three 3/8" x 12" x 2" stainless steel anchor bolts with leveling nuts and washers, and a wood template.

Nozzle:

Precision machined brass.

Finish:

Standard finish is Natural Bronze. Optional finishes - Dark Bronze (DB), or Verde Green (VG). Contact factory for custom finishes.



Data:

Model Number	Top Diameter	Inlet FPT	Feet Meters	2	4	6	8	10	12
				.61	1.22	1.83	2.44	3.05	3.66
FIC-S700	7" (178 mm)	1"	GPM (LPM)	2 (8)	4 (16)	6.5 (25)	8.25 (32)	10 (38)	13 (50)
			Head Ft. (Bar)	3 (.09)	6 (.18)	9 (.27)	12 (.36)	14 (.42)	20 (.60)



fountain people®

Story | Water | Light | Motion

Fountain People, Inc.
P.O. Box 807
San Marcos, TX 78666
T: 512.392.1155
F: 512.392.1154
www.fountainpeople.com

Catalog #	
Details	
Project	
Prepared by	
Date	